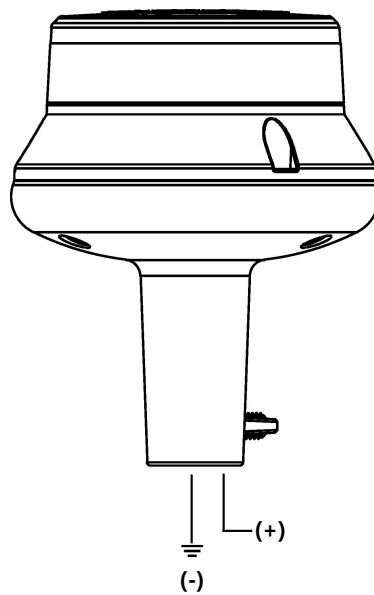


MANUAL

AMBRA WARNING LIGHT POLE/DIN MOUNTING LED

RED = +VDC (SIDE)
BLACK = - NEGATIVE (CENTER)



PATTERNS	PATTERN DESCRIPTION	FLASH RATE
1	Single Flash,ECE R65 Class 1 (by night)	125FPM

Part no. 850931

Contact us if you need support: support@strands.se or +46(0)320-450450



www.strands.se
www.strandseurope.com