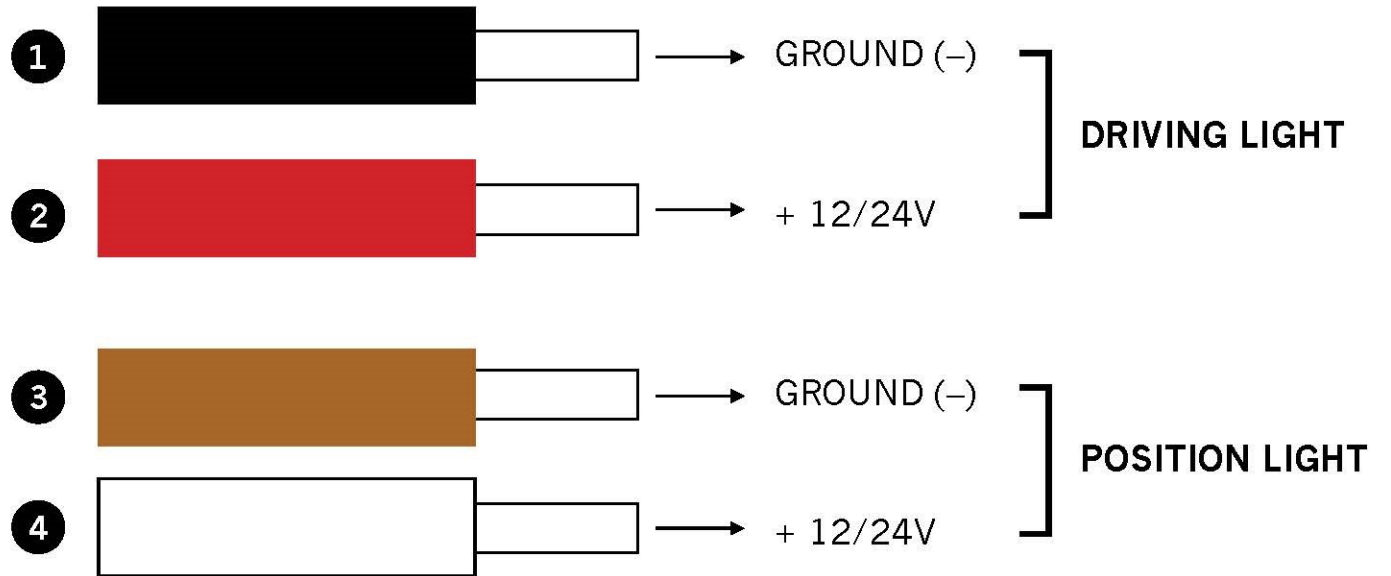
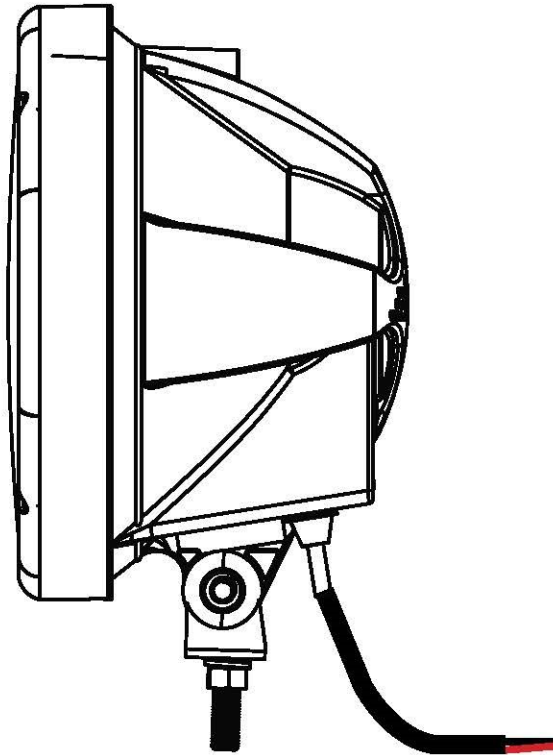


BREMEN/270773



1. Minus
2. Positiv
3. Minus ground
4. Positiv parking light