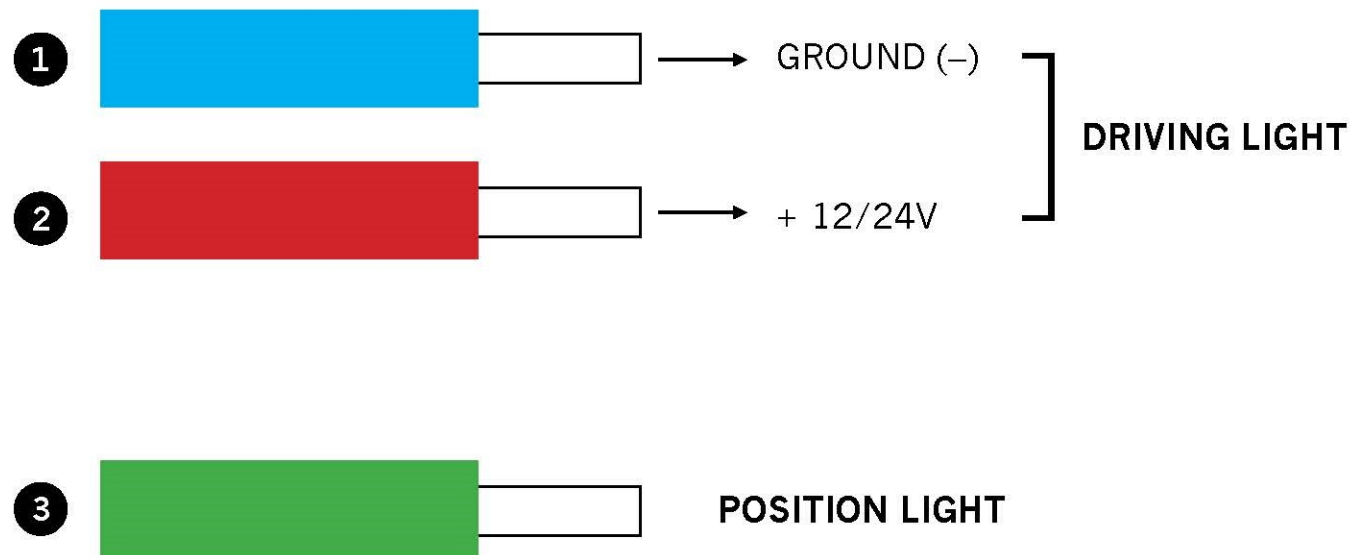
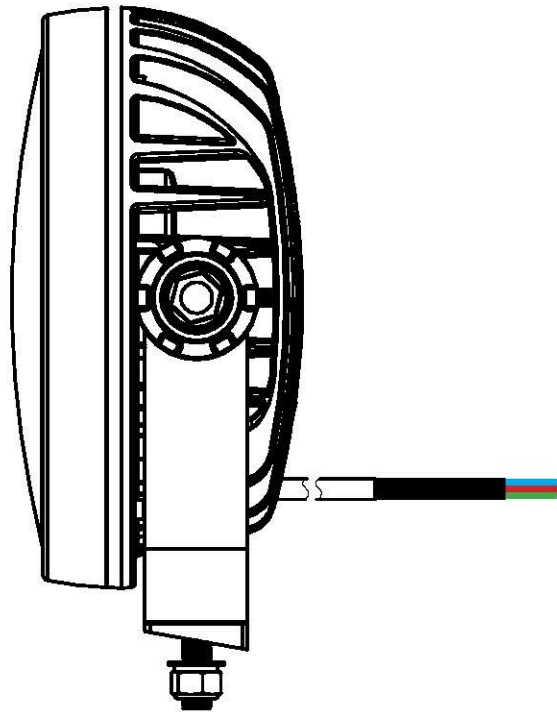

SALA/270914



- 1. Minus
 - 2. Positiv
 - 3. Position
-