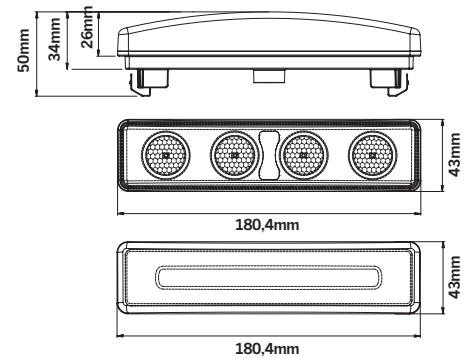


SUITABLE FOR
SCANIA
4, P, G, R



POSITION LIGHT *LED*



Voltage	12-24V DC
Functions	Position light
Pcs of LEDs	4
IP-class	IP66/68
Color lens	Clear
Color LED	White
Connection	AMP MCP 2.8
Cable length	220mm
Length	180,4mm
Depth	26/34/50mm
Height	43mm
E-approved	ECE R7
EMC-certificate	ECE R10

Part No. 800315

POSITION LIGHT *LED*



Voltage	12-24V DC
Functions	Position light
Pcs of LEDs	6
IP-class	IP66/68
Color lens	White
Color LED	White
Connection	AMP MCP 2.8
Cable length	220mm
Length	180,4mm
Depth	26/34/50mm
Height	43mm
E-approved	ECE R7
EMC-certificate	ECE R10

Part No. 800316