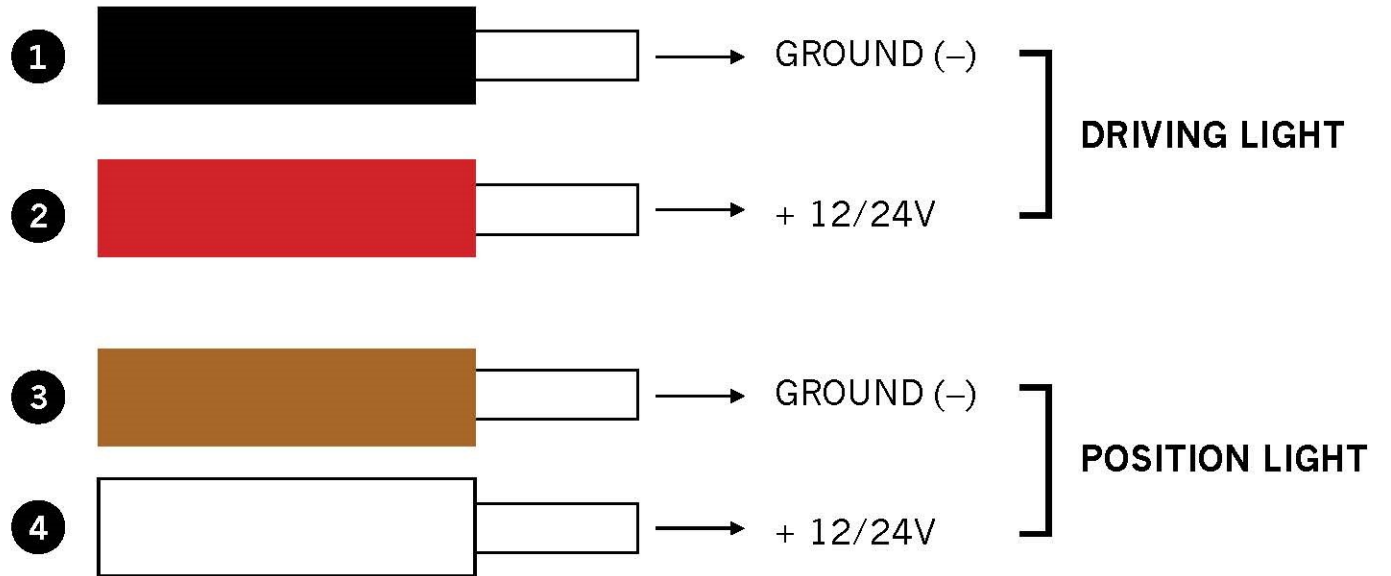
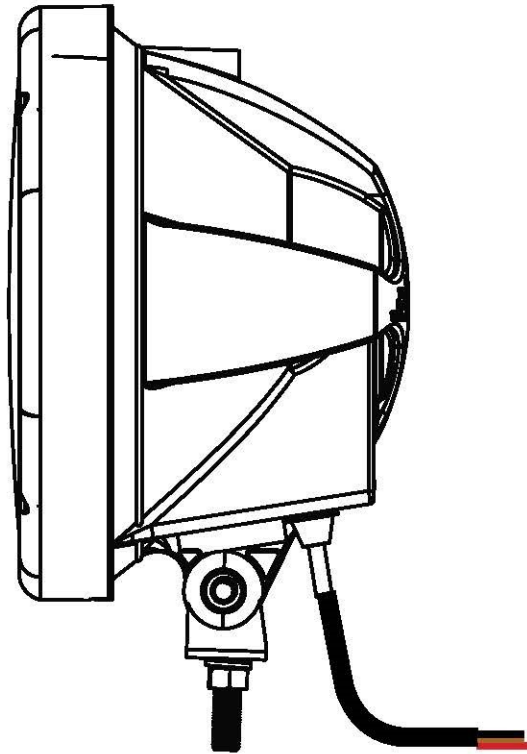


NARVIK/270770-N/270770-NP



1. Minus
2. Positiv
3. Minus ground
4. Positiv parking light